

# DHI-ITC237-PW6M-IRLZF1050

2MP Long Range Access ANPR Camera



- 1/1.8" 2Megapixel CMOS image sensor
- Video compression standards: H.265/H.264M/H.264H/H.264B/MJPEG
- IP67,IK10
- Support ePoE
- Support vehicle speed under 120 km/h

## System Overview

The long range access ANPR camera is designed with high-performance CMOS image sensor and independently-developed processor, capable of reading and extracting detailed vehicle information day and night. Intelligent deep learning algorithm allows recognition of vehicle license plate, and vehicle brand, model, logo, and color. The camera is extensively applied to vehicle capture and recognition of community road, parking lot, and other entrance and exit surveillance scenarios.

## Functions

### High-quality image

Industry-specific CMOS image sensor with high sensitivity, high SNR and excellent WDR provides lifelike images in all weathers.

### Complete intelligence

High-performance CPU processor helps extract and analyze information of motor and non-motor vehicles in real-time, providing vehicle feature details for business decision-making.

### High-level protection

Integrated design with low power consumption, built-in lightning protection module, and IP67 protection grade, suitable for various harsh environments.

## Multiple ports

Various signal, data and communication ports, capable of connecting to external devices such as barrier.

## Easy installation

Built-in LED illuminator and motorized vari-focal lens, providing ease of installation and commissioning.

## Technical Specification

### Image Processing

|                    |                                                                                                                                                                                                                                                    |
|--------------------|----------------------------------------------------------------------------------------------------------------------------------------------------------------------------------------------------------------------------------------------------|
| Illuminator        | 6 IR illuminators (brightness adjustable)                                                                                                                                                                                                          |
| Image Sensor       | 1/1.8" CMOS                                                                                                                                                                                                                                        |
| Image Resolution   | 1920 × 1080 (OSD black strip excluded)                                                                                                                                                                                                             |
| Video Resolution   | Main stream: 1080P (1920 × 1080) / 720P (1280 × 720)<br>Sub stream: 720P (1280 × 720) / D1 (704 × 576, 704 × 480) / CIF (352 × 288, 352 × 240)                                                                                                     |
| Video Frame Rate   | PAL: Main stream (1920×1080@25fps, 1280 × 720@25fps), sub stream: (1280 × 720@25fps, 704 × 576@25fps, 352 × 288@25fps)<br>NTSC: Main stream (1920 × 1080@30fps, 1280 × 720@30fps), sub stream (1280 × 720@30fps, 704 × 408@30fps, 352 × 240@30fps) |
| Bit Rate           | H.264B: 32Kbps–32768Kbps<br>H.264M: 32Kbps–32768Kbps<br>H.264H: 32Kbps–32768Kbps<br>H.265: 32Kbps–32768Kbps<br>MJPEG: 512Kbps–65536Kbps                                                                                                            |
| Video Encoding     | H.264B/H.264M/H.264H/H.265/MJPEG                                                                                                                                                                                                                   |
| Image Encoding     | JPEG                                                                                                                                                                                                                                               |
| Noise Reduction    | 3DNR                                                                                                                                                                                                                                               |
| White Balance      | Full auto; auto color temperature range; customized color temperature                                                                                                                                                                              |
| Electronic Shutter | 1/50–1/10000, auto or manual                                                                                                                                                                                                                       |
| Wide Dynamic Range | 96db                                                                                                                                                                                                                                               |
| Edge Enhancement   | Yes                                                                                                                                                                                                                                                |
| Exposure Mode      | Full auto; customized auto; customized                                                                                                                                                                                                             |
| Iris               | Auto iris (W:1.3–T:2.3)                                                                                                                                                                                                                            |

### Function

|                                       |                                                                                                                                            |
|---------------------------------------|--------------------------------------------------------------------------------------------------------------------------------------------|
| Trigger Mode                          | Video detection; I/O coil; video detection and I/O coil                                                                                    |
| Shutter                               | Single shutter                                                                                                                             |
| Storage                               | 1 built-in TF card port. Kingston 16G, 32G and 64G; Dahua 16G, 32G and 64G; SanDisk 16G, 32G and 64G                                       |
| Image Tampering Prevention            | Yes. Video/picture can be checked through watermark and verification                                                                       |
| Max Illumination Distance             | 30m (82.02ft)                                                                                                                              |
| Maximum speed                         | 120km/h                                                                                                                                    |
| Alarm Event                           | Alarm in the case of no storage card, not enough storage space, storage card error, network disconnection, IP conflict, and illegal access |
| Security Mode                         | Authorized username and password, MAC address binding, HTTPS encryption, IEEE 802.1x, and network access control                           |
| OSD Overlay                           | Supports overlay of time, address (position of channel), lane (number/direction), plate (number and color), vehicle (speed, color, type)   |
| ANR (Automatic Network Replenishment) | Yes. Platform/FTP                                                                                                                          |
| Auto Register                         | Yes                                                                                                                                        |

### Intelligence

|                         |                                                                                                                                         |
|-------------------------|-----------------------------------------------------------------------------------------------------------------------------------------|
| Vehicle Detection       | Vehicle capture rate ≥99%                                                                                                               |
| Vehicle Recognition     | Supports recognizing vehicle type, vehicle logo, vehicle color, license plate, and vehicle without plate. Vehicle recognition rate ≥90% |
| Video Metadata          | Yes                                                                                                                                     |
| Intelligent Track Frame | Intelligent frame display. Supports displaying vehicle plate and vehicle path                                                           |

### Ports

|               |                                                                                                              |
|---------------|--------------------------------------------------------------------------------------------------------------|
| Lens          | Lens in the camera module                                                                                    |
| Analog Output | 1                                                                                                            |
| Ethernet Port | 1 100/1000M Ethernet port (RJ45)                                                                             |
| RS-485 Port   | 2                                                                                                            |
| RS-232 port   | 1                                                                                                            |
| Alarm Input   | 3, optocoupler input (switch quantity)                                                                       |
| Alarm Output  | 3 ports. 2-channel optocoupler output, 1-channel relay output, which can connect to devices such as barriers |
| Audio Input   | 1-channel RCA port                                                                                           |
| Audio Output  | 1-channel RCA port                                                                                           |

### General

|                     |                                              |
|---------------------|----------------------------------------------|
| Power Supply        | 12V DC, 24V AC, PoE+                         |
| Power Consumption   | < 20W                                        |
| Working Temperature | –30°C to +65°C (–22°F to +149 °F)            |
| Working Humidity    | 10%–90% (no condensation)                    |
| Housing             | Metal and plastic                            |
| Protection Grade    | IP67, IK10                                   |
| Dimensions (L×W×H)  | 370.4mm×124.7mm×105.7mm (14.58"×4.91"×4.16") |
| Net Weight          | 1.7kg (3.75lb)                               |
| Gross Weight        | 2.5kg (5.51lb)                               |
| Installation        | Universal joint installation                 |
| Lens                | 10mm–50mm (0.39"–1.97")                      |
| CE                  | Support                                      |
| FCC                 | Support                                      |

## Ordering Information

| Type       | Part Number               | Description                                                       |
|------------|---------------------------|-------------------------------------------------------------------|
| 2MP Camera | DHI-ITC237-PW6M-IRLZF1050 | 2MP long range access ANPR camera (850nm built-in IR illuminator) |
| Bracket    | PFA162                    | 3-dimensional universal mounting bracket                          |

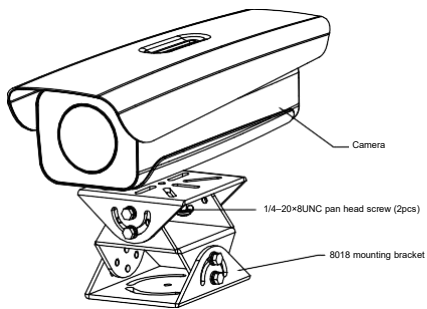
## Accessories

### Optional:



PFA162  
3-dimensional universal  
mounting bracket

## Installation



## Dimensions (mm[inch])

